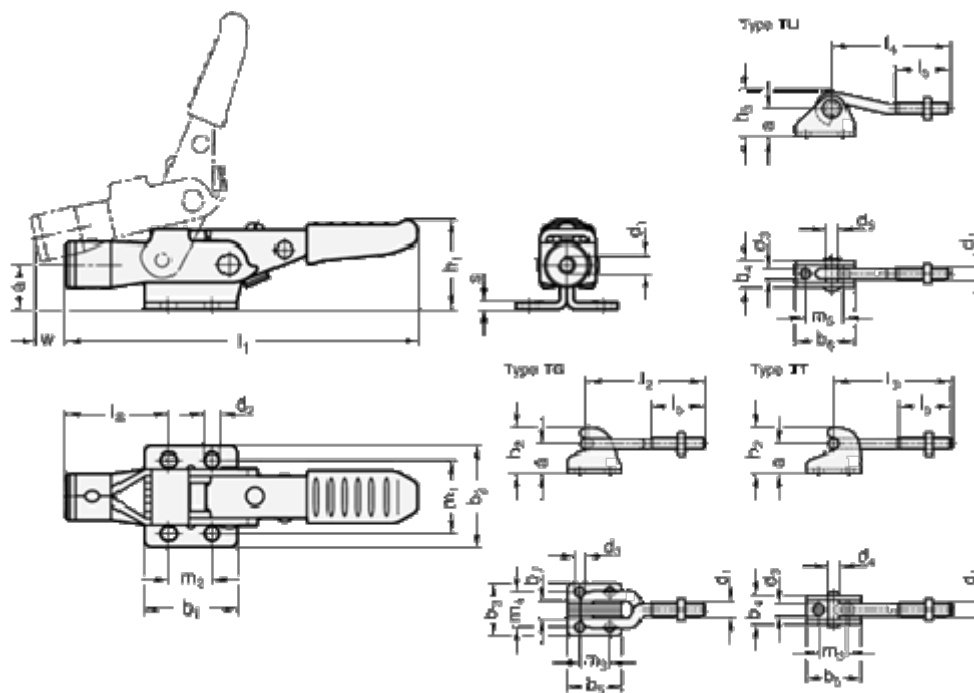


Article number: 20853700TUNI

Description: E+G Latch clamp with locking mechanism  
GN 853-700-TU-NI

## Measures



|           |           |                        |            |
|-----------|-----------|------------------------|------------|
| a = 28    | d1 = M10  | Holding force N = 7500 | m2 = 41.5  |
| b1 = 60   | d2 = 6.5  | l1 = 222               | m3 = 31    |
| b2 = 54   | d3 = 8.5  | l2 = 95.5              | m4 = 25.4  |
| b3 = 41   | d4 = 9.0  | l3 = 93.0              | m5 = 31.0  |
| b4 = 26   | d5 = 10   | l4 = 92.0              | s = 3.5    |
| b5 = 50   | h1 = 53.0 | l5 = 42                | Size = 700 |
| b6 = 50   | h2 = 40.5 | l6 = 51.0              | w = 19     |
| b7 = 11.0 | h3 = 39.0 | m1 = 38                |            |